

MaxMotion

PERFORMANCE DATA SHEET

Meets or exceeds MEPS (Minimum Efficiency Performance Standards), as described by the US Department of Energy in docket 10CFR431 and Natural Resources Canada's Amendment 14

Catalogue #: MPR-342JH

HP	kW	Voltage	S.F. @ 60Hz	Efficiency	Power Factor	Frame	Design	L.R. Amps
0,75	0,56	575	1,15	76,2%	0,840	56J	B	8

60 Hz								
FLA							Code	F.L. RPM
208	230	416	460	480	575	600		
/	/	/	/	/	0,86	/	L	3474

50 Hz								
HP	kW	FLA		S.F. @ 50Hz	Efficiency	Power Factor	Code	F.L. RPM
		190	380					
/	-	/	/	/	/	/	/	/

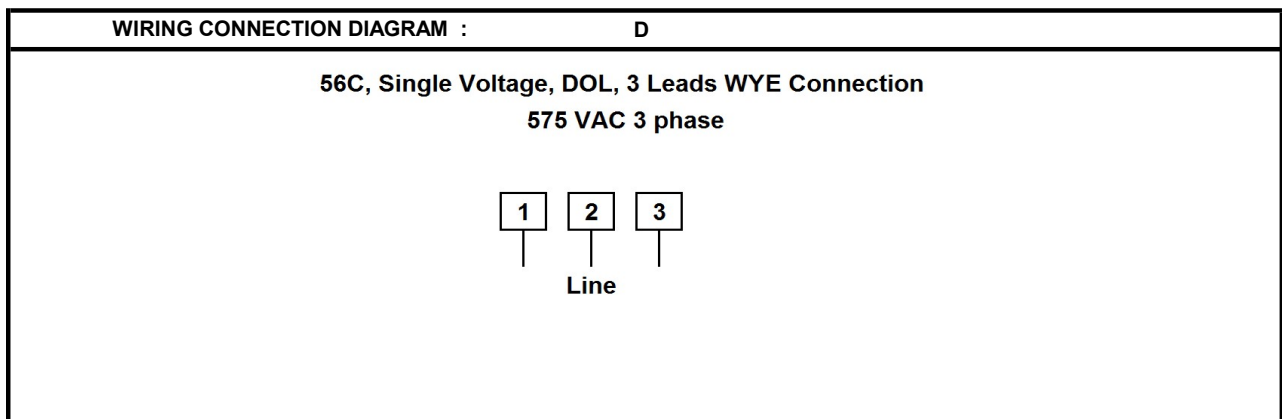
Wgt. Lbs	PH	Duty	Insul. Class	Amb.	Elevation	Temp. Rise° C
22,5	3	Cont.	F	40°C	1000M (3300 Ft)	32

% Efficiency		% Power Factor		Torque		Winding Resist. Ω	Safe Cold Start (Secs)
Full Load:	76,2%	Full Load:	0,84	Full Load Ft/Lbs	1,1		
3/4 Load:	75,7%	3/4 Load:	0,78	Locked Rotor %	296		
1/2 Load:	67,7%	1/2 Load:	0,70	Break Down %	381	38,4	12

Rotor Inertia Wk2 Lb-Ft2	Max Load Inertia Wk2 Lb-Ft2	Shaft Material	Frame Material	DE Bracket Type	ODE Bracket Type	Enclosure	NEMA Rating	Lead Wire Size
/	/	304SS	Rolled Steel	Aluminium Alloy		TEFC	IP55	16AWG

Ball Bearings		Grease	Mount Type	Orientation	Paint	Sound Pressure @ 3FT	Sound Power
DE	ODE						
6205	6203	Sealed Bearings	Rigid	Horizontal	Black	56	/

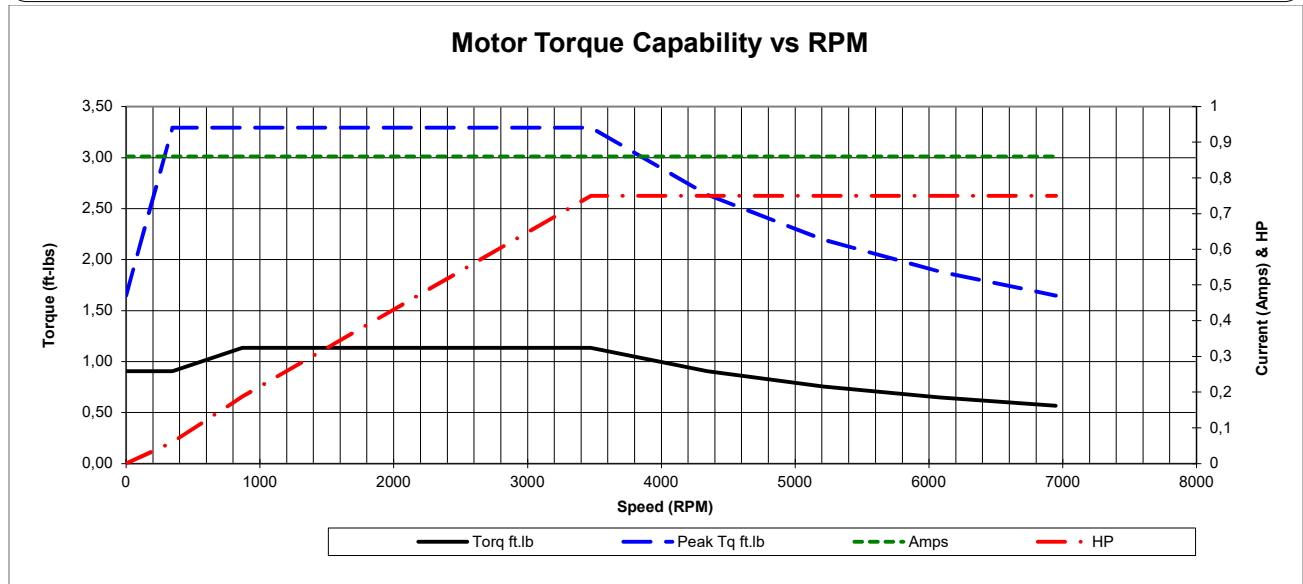
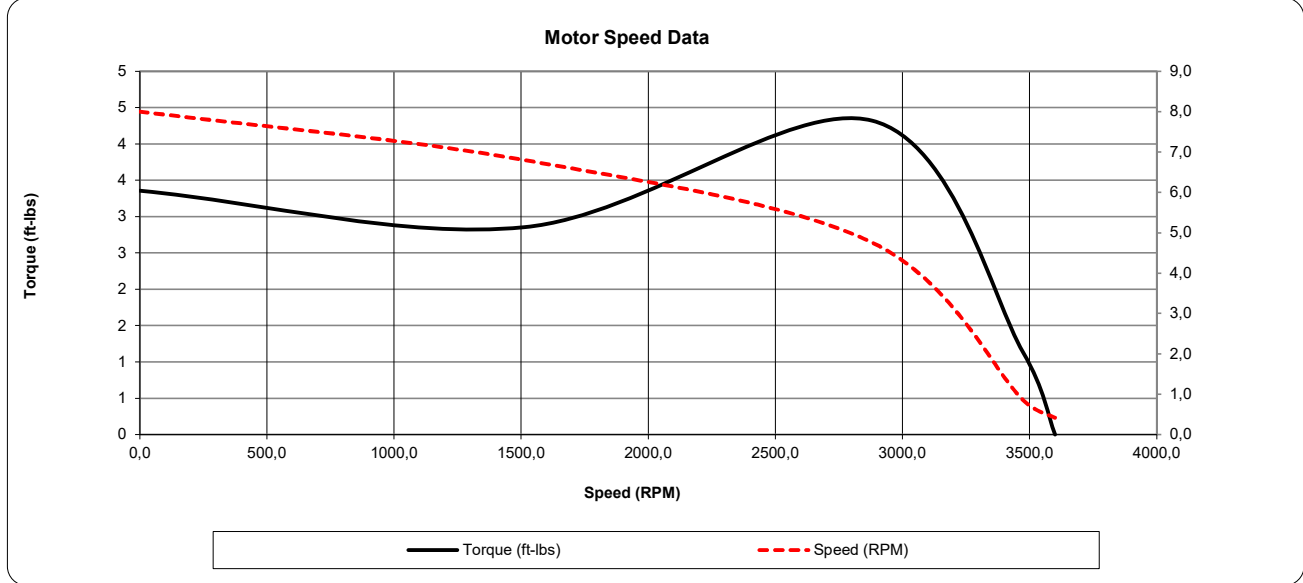
Inverter Duty. Motor meets MG1 parts 31.4.4.2	Constant Torque Range	Variable Torque Range	Constant HP RPM
		10:1	20:1



Date: 2024-05-01
 Customer: _____
 Contact: _____
 Submittee: J.C. Lavallée

Catalogue #: **MPR-342JH**

Meets or exceeds MEPS (Minimum Efficiency Performance Standards), as described by the US Department of Energy in docket 10CFR431 and Natural Resources Canada's Amendment 14										
HP	VAC	RPM	Enclosure	Frame	Frequency	Design	Poles	LR Code Letter	Insulation Class	Temp. Rise °C
0,75	575	3474	TEFC	56J	60	B	2	L	F	32
	0Hz	6Hz	15Hz	30Hz	45Hz	60Hz	75Hz	90Hz	105Hz	120Hz
Amps	0,86	0,86	0,86	0,86	0,86	0,86	0,86	0,86	0,86	0,86
RPM	0	347,4	868,5	1737	2605,5	3474	4342,5	5211	6079,5	6948
Torq ft.lb	0,91	0,91	1,13	1,13	1,13	1,13	0,91	0,76	0,65	0,57
Peak Tq ft.lb	1,65	3,29	3,29	3,29	3,29	3,29	2,64	2,20	1,88	1,65
HP	0	0,1	0,2	0,4	0,6	0,8	0,8	0,8	0,8	0,8
	Locked Rotor	Pull-Up	Breakdown	Rated Load	Idle	Duty	S. F.	Ambient	Elevation	dBA @ 1M
Speed (RPM)	0,0	1512	2880	3474	3600	Continuous	1,15	40°C	3,300 ft	56
Current (Amps)	8,0	6,8	4,8	0,9	0,4	VFD Rating: Meets MG1 parts 31.4.4.2				
Torque (ft-lbs)	3,4	2,9	4,3	1,1	0,0	C.T.	10:1	V.T.	20:1	





Date: 2024-05-01
 Customer: _____
 Contact: _____
 Submittee: J.C. Lavallée

Catalogue #: **MPR-342JH**

Meets or exceeds MEPS (Minimum Efficiency Performance Standards), as described by the US Department of Energy in docket 10CFR431 and Natural Resources Canada's Amendment 14

HP	VAC	RPM	Enclosure	Frame	Frequency	Design	Poles	LR Code Letter	Insulation Class	Temp. Rise °C
0,75	575	3474	TEFC	56J	60	B	2	L	F	32

Load %	0%	25%	50%	75%	100%	125%	150%
Amps	0,42	0,52	0,59	0,70	0,86	1,08	1,29
Torq ft/lbs	0	0,28	0,56	0,84	1,13	1,43	1,73
RPM	0	3568,5	3537	3505,5	3474	3442,5	3411
Eff	0	45,02	68,36	77,28	76,20	76,24	74,07
PF	0	60,0	70	78	84,0	85,7	88,2

	Locked Rotor	Pull-Up	Breakdown	Rated Load	Idle	Duty	S. F.	Ambient	Elevation	dBA @ 1M
Speed (RPM)	0	1512	2880	3474	3600	Continuous	1,15	40°C	3,300 ft	56
Current (Amps)	8	6,8	4,8	0,86	0,419	VFD Rating: Meets MG1 parts 31.4.4.2				
Torque (ft-lbs)	3,36	2,85	4,32	1,13	0,0	C.T.	10:1	V.T.	20:1	

